



INSTALLATION INSTRUCTIONS

Accessory

FENDER FLARES
P/N 0SF70-HL6-A01

Application

SXS1000S2X/S2XD/S2R/
S2RD/S4X/S4XD

Publication No.

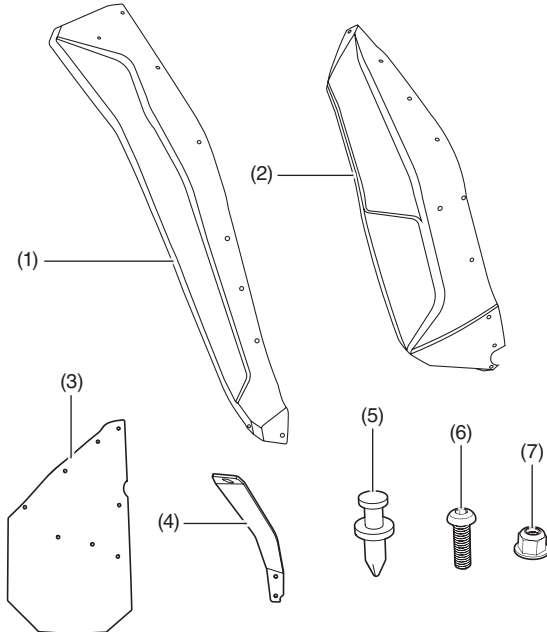
MII 17811

Issue Date

April 2022

Honda Dealer: Please give a copy of these instructions to your customer.

PARTS LIST



No.	Description	Qty
(1)	Rear fender flare	2
(2)	Front fender flare	2
(3)	Mud flap	2
(4)	Rear fender support	2
(5)	Trim clip	62
(6)	M6 screw	6
(7)	M6 nut	6

TOOLS AND SUPPLIES REQUIRED

Power drill

5/16" drill bit

1/4" drill bit

4 mm allen wrench

10 mm box wrench

Small mallet

TORQUE CHART

Tighten all screws, bolts, and nuts to their specified tightening torque values. Refer to the Service Manual for the tightening torque values of the removed parts.

Item	N-m	kgf-m	lbf-ft
M6 screw	32	35	24

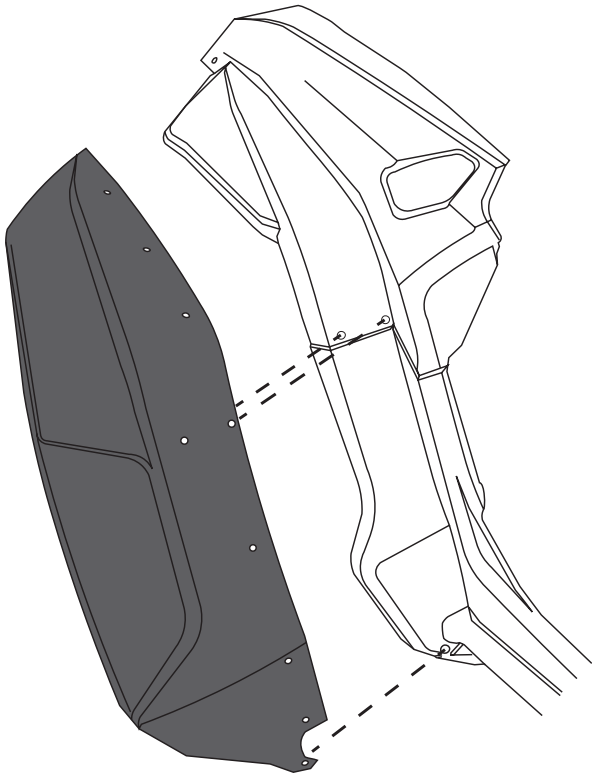
USE AND CARE INFORMATION

- Check the accessory mount frequently and retighten if necessary.
- Replace this accessory with a new one if it is damaged or discolored excessively.
- When this accessory becomes dirty, rinse it thoroughly with cool water to remove loose dirt, then wipe with a clean cloth or sponge.
- Do not use a brush to clean this accessory as it may scratch the surface.
- Never clean with or expose this accessory to petroleum solvents such as gasoline, thinner, benzene, acid, or alkaline cleaners.

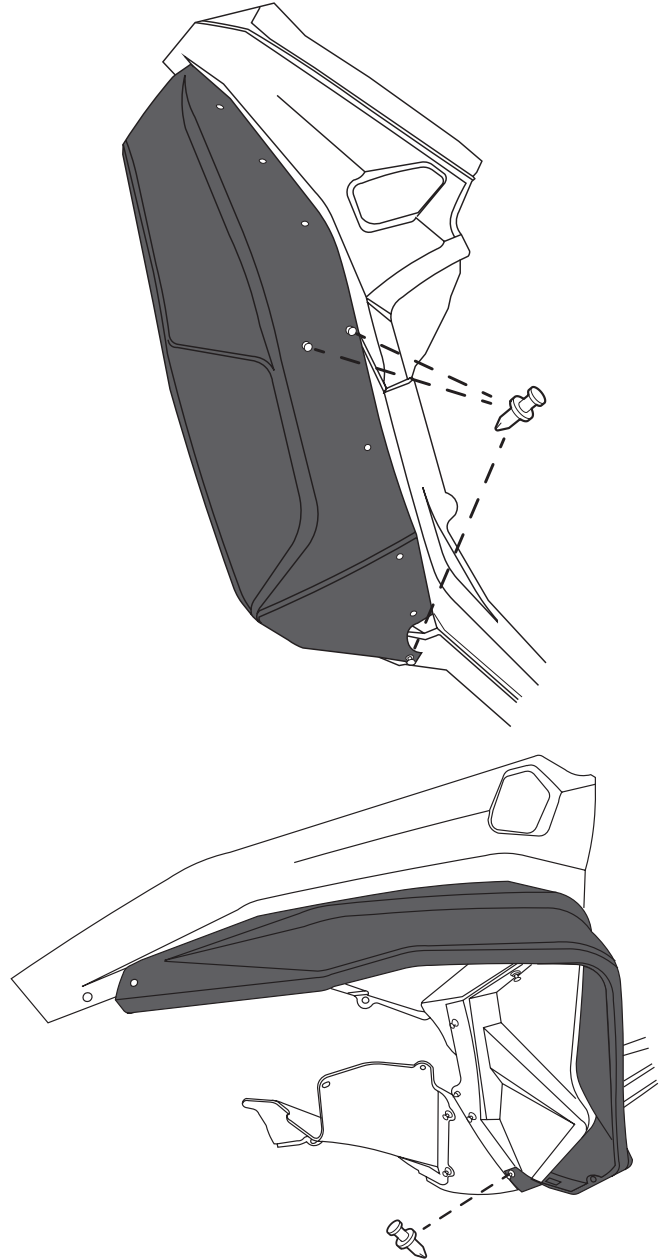
INSTALLATION

Front Fender Flare Installation

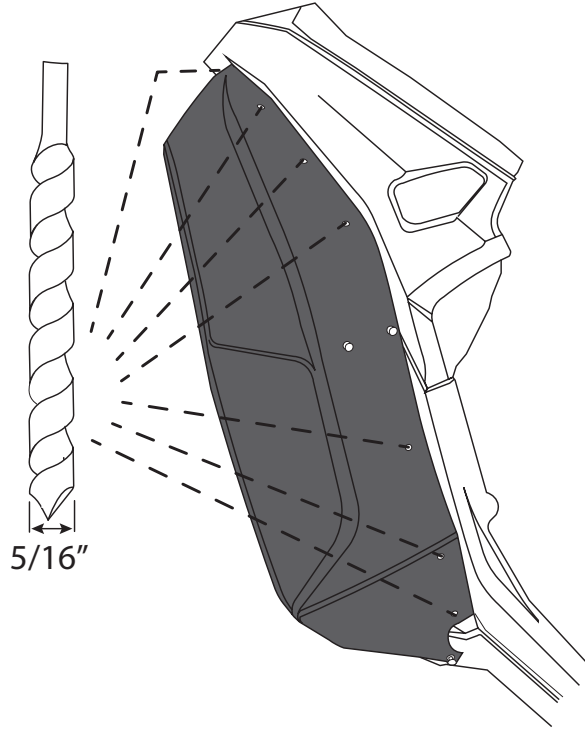
1. Place the front fender flare over the front wheel well as shown.



2. Secure the front fender flare using four (4) trim clips in the indicated locations.



- Using a 5/16" drill bit, drill seven (7) holes in the wheel well using the fender holes as guides.

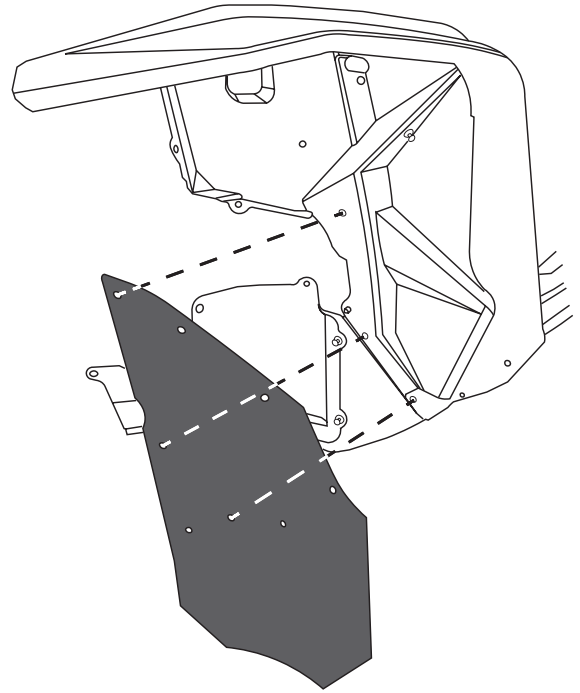


Tip: Hold the Fender Flares tight against the fender for a better finish.

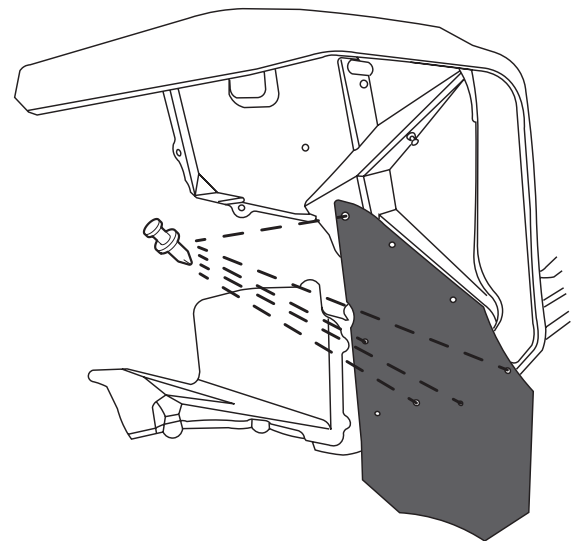
- Insert seven (7) trim clips into the newly drilled holes to attach the fender securely to the vehicle.
- Repeat steps 1-4 on the other side of the vehicle.

MUD FLAP INSTALLATION

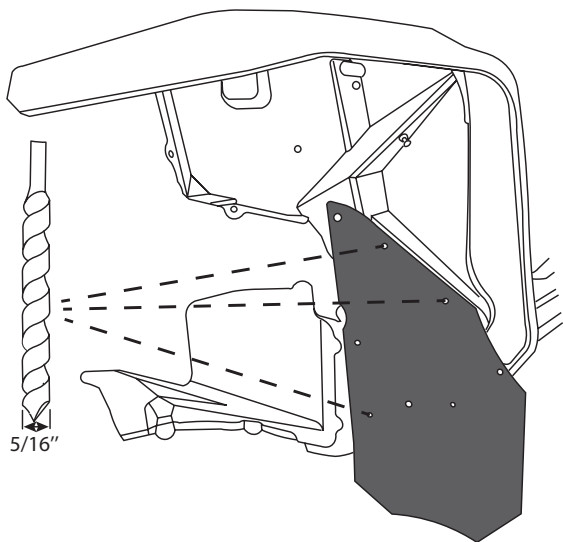
- Remove the existing trim clips from the front fender. Align the mud flap to the resulting holes as shown.



- Attach the mud flap in place by using five (5) trim clips in the locations shown.



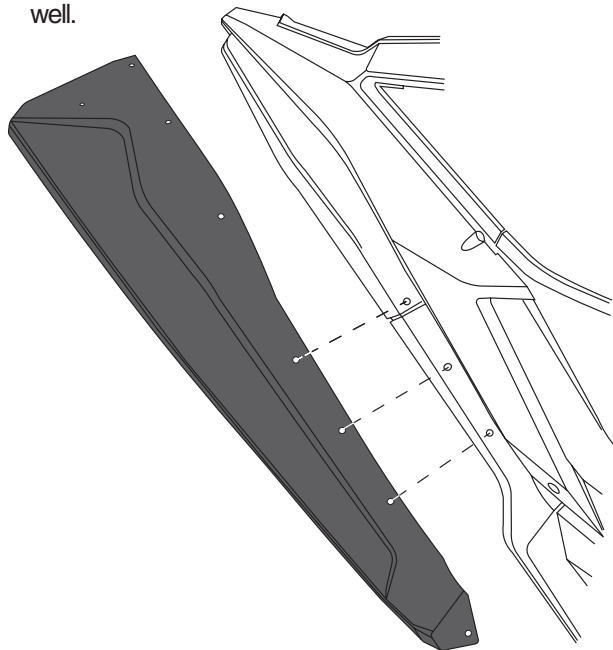
- Using a 5/16" drill bit, drill out three holes using the holes in the mud flap as a guide.



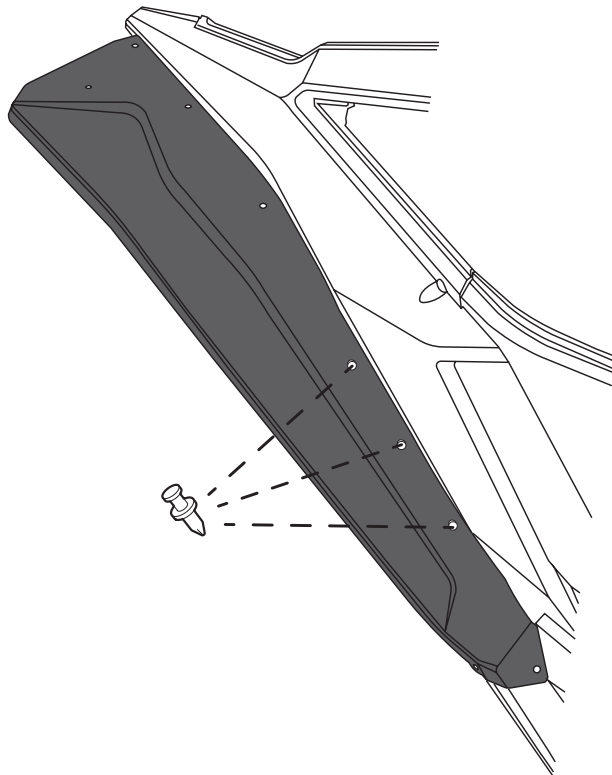
- Install three trim clips to attach the mud flap to the vehicle.
- Repeat steps 1-4 on other side of the vehicle.

REAR FENDER FLARE INSTALLATION

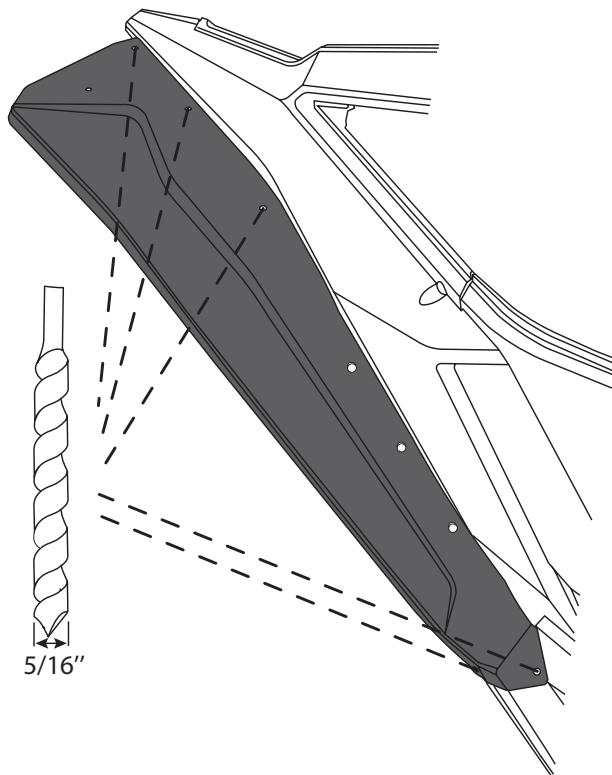
- Place the rear fender flare over the rear wheel well.



- Secure the rear fender flare using three (3) trim clips in the indicated locations.

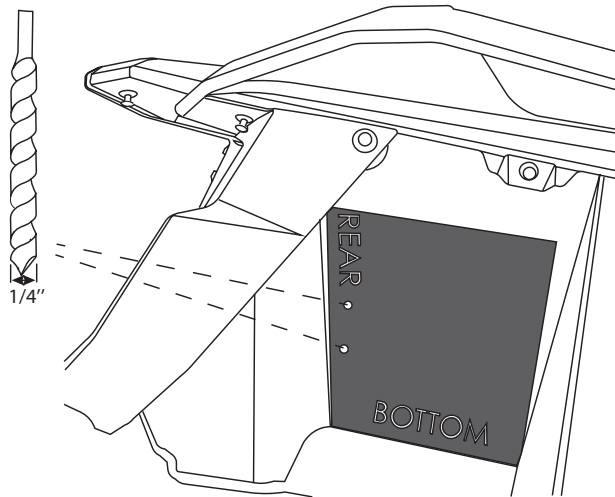


- Using a 5/16" drill bit, drill five (5) holes in the wheel well using the fender holes as guides.

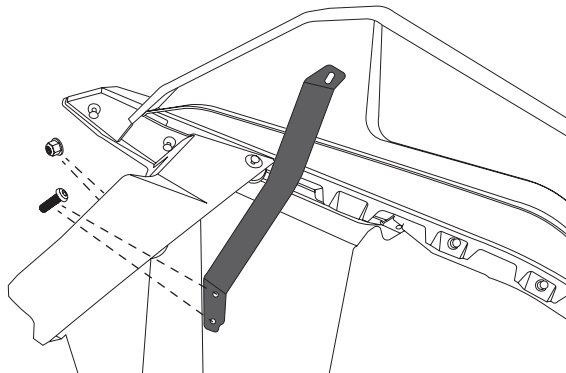


Tip: Hold Fender Flares tight against fender for a better finish.

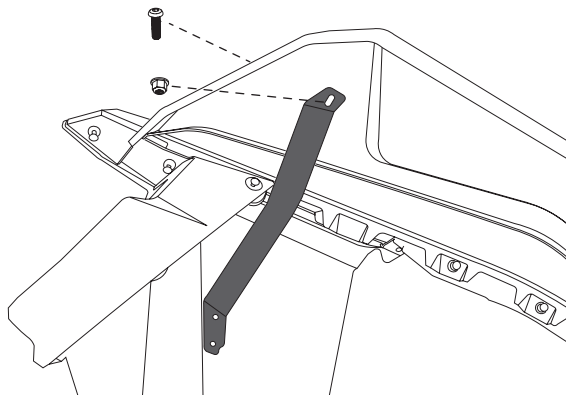
4. Insert five (5) trim clips into the newly drilled holes to attach the fender securely to the vehicle.
5. Cut out drill template and align drill template to side of vehicle. Using a 1/4" drill bit, drill out two holes using the drill template as a guide.



6. Use two (2) screws and two (2) nuts to attach the rear fender support to the side of the vehicle in the newly drilled holes.



7. Attach the top of the rear fender support to the underside of the rear fender using a screw and a nut.



Tip: Hold Fender Flares high when tightening bolt for better vehicle appearance.

8. Repeat steps 1-7 on other side of the vehicle.

**THIS PAGE INTENTIONALLY
LEFT BLANK**

Rear Bracket Drill Template

Reverseable for use on both sides of vehicle

